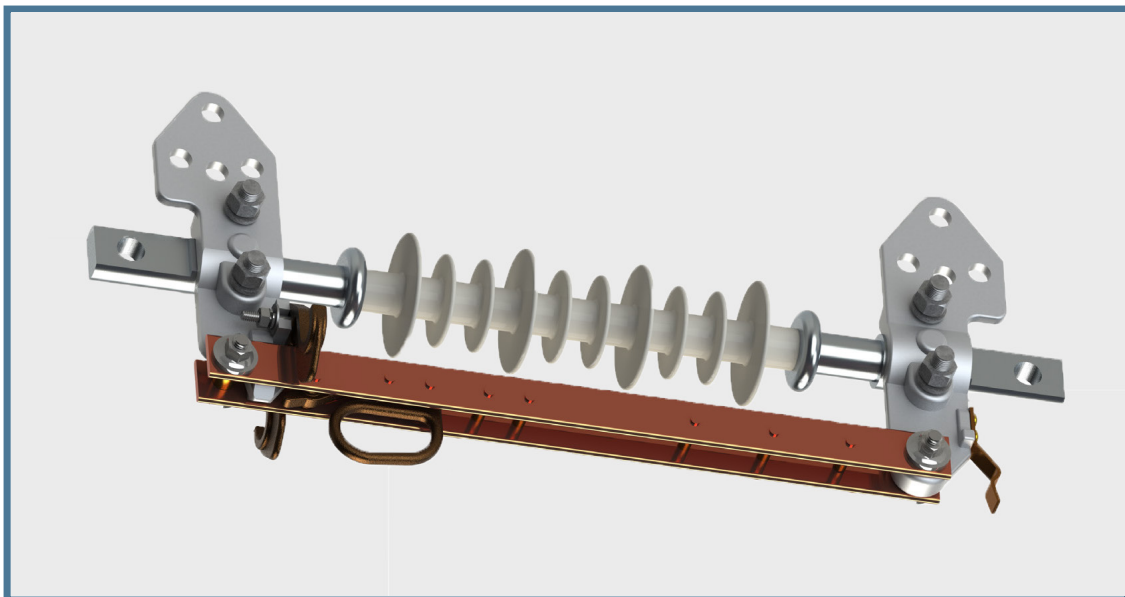


INLINE DISCONNECT SWITCHES

– TYPE IL469NP

OUTDOOR HOOKSTICK OPERATED (DISTRIBUTION CLASS)

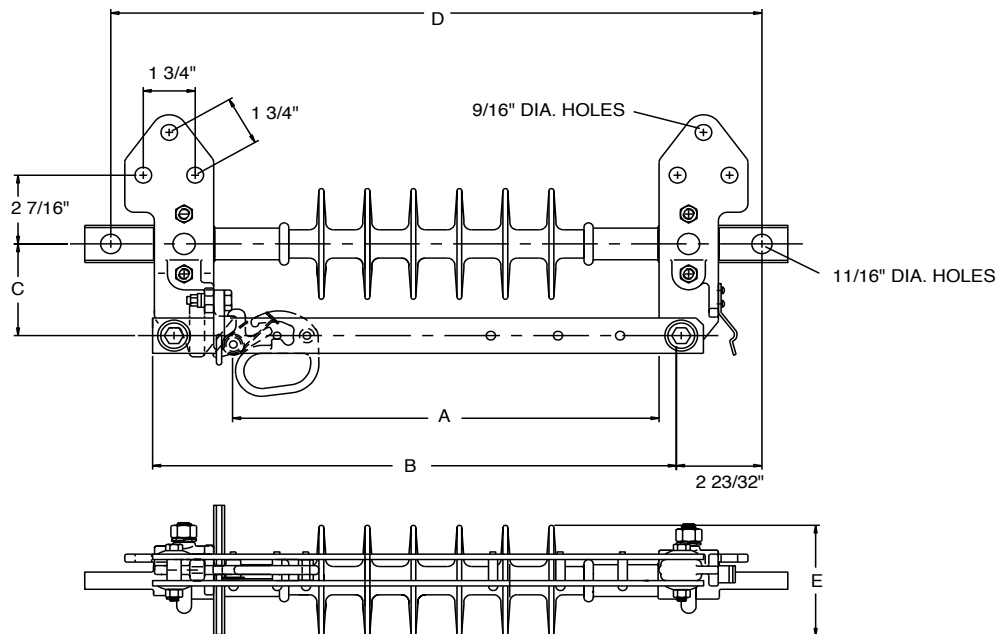


- For sectionalising and tap applications
- Furnished with hooks for loadbreak tool (through 34.5KV)
- Used on armless or crossarm line construction

TYPE IL469NP DISCONNECT SWITCH

- POLYMER INSULATOR

- Light weight - 5.9 kg
- Separate tension system and current path
- One piece silicone polymer insulator skirts
 - Vandal/breakage resistant
 - Molecular structure resists ultra-violet degradation
- Blade of ETP, hard-drawn copper busbar
- Silver contact surfaces
- Construction of blades provides lateral stability when closing
- Furnished with hooks for operation with portable loadbreak tools



SPECIFICATIONS

Nominal operating voltage	34.5/46 kV	1 min. 60 Hz dry withstand across open switch	100 kV
Momentary current rating	40,000 Amp	Design tension strength	70 kN
3 second current rating	25,000 Amp	Recommended max. static tension loading	33 kN
1.2 x 50µS impulse withstand across open switch	250 kV	Min. metal to metal	390 mm

CATALOG NO.	kV	AMPS	A	B	C	D	E
IL469NP	34.5/46	900	19 7/8"	22 15/16"	3 1/4"	27 1/2"	3 15/16"